



# EC

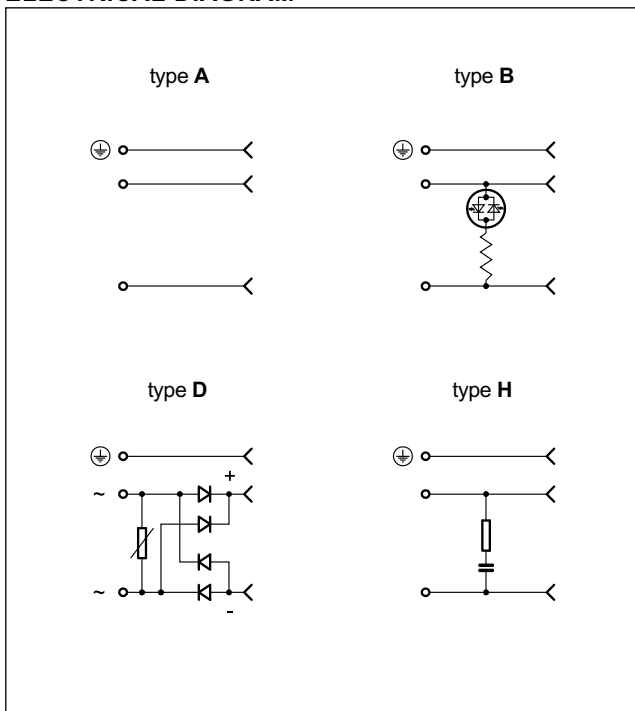
## ELECTRIC CONNECTORS

### SERIES 10

**EN 175301-803**  
**(ex DIN 43650 / ISO 4400)**

**type A**

#### ELECTRICAL DIAGRAM



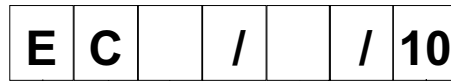
#### DESCRIPTION

- The EC connectors, according to EN 175301-803, are in the model "A" configuration and are used mainly for the electrical connection of valve solenoids.
- When they are correctly installed and coupled they provide waterproof protection according to IEC EN 60529 standards, class of protection IP65.
- The class of insulation is therefore in compliance with IEC 60664-1:2007 specifications, operating voltage up to 250 Volt.
- The wire terminal block is removable from the external housing to allow the wire connections to the clamps, and to allow the electrical contacts can be turned through 90° (except version H) if required.
- Four different types with specific functions are available:
  - type **A**, connector two poles + ground
  - type **B\***, with LED (available voltages: 10 ÷ 50 and 70 ÷ 250V)
  - type **D**, with bridge rectifier
  - type **H**, with RC damping circuit
- Type A is also available in gray colour, to differentiate the solenoids mounted on the side "A" or "B".
- They are supplied with M3 fixing screw and NBR gasket.

#### TECHNICAL CHARACTERISTICS

		<b>type A</b>	<b>type B*</b>	<b>type D</b>	<b>type H</b>
Voltage supply	V DC/AC	up to 230	10 ÷ 50 / 70 ÷ 250	up to 230	up to 230
Number of poles		2 + ground			
Current on connections: nominal maximum	A	10 16			
Contact resistance	mΩ	≤ 4			
Maximum conductor size	mm	1,5			
Cable exit		Pg9 / Pg11 unified			
Electromagnetic compatibility (EMC)		according to 2004/108/CE			
Low voltage		according to 2006/95/CE			
Protection degree		IP 65 - IEC 60529			
Insulation class		class C (IEC 60664-1:2007-04)			
Operating temperature	°C	-40 / +90			

### 1 - IDENTIFICATION CODE



Electric connector  
EN 175301-803 (ex DIN 43650 / ISO 4400)

Series No.  
(the overall and mounting dimensions remain unchanged from 10 to 19)

Connector type

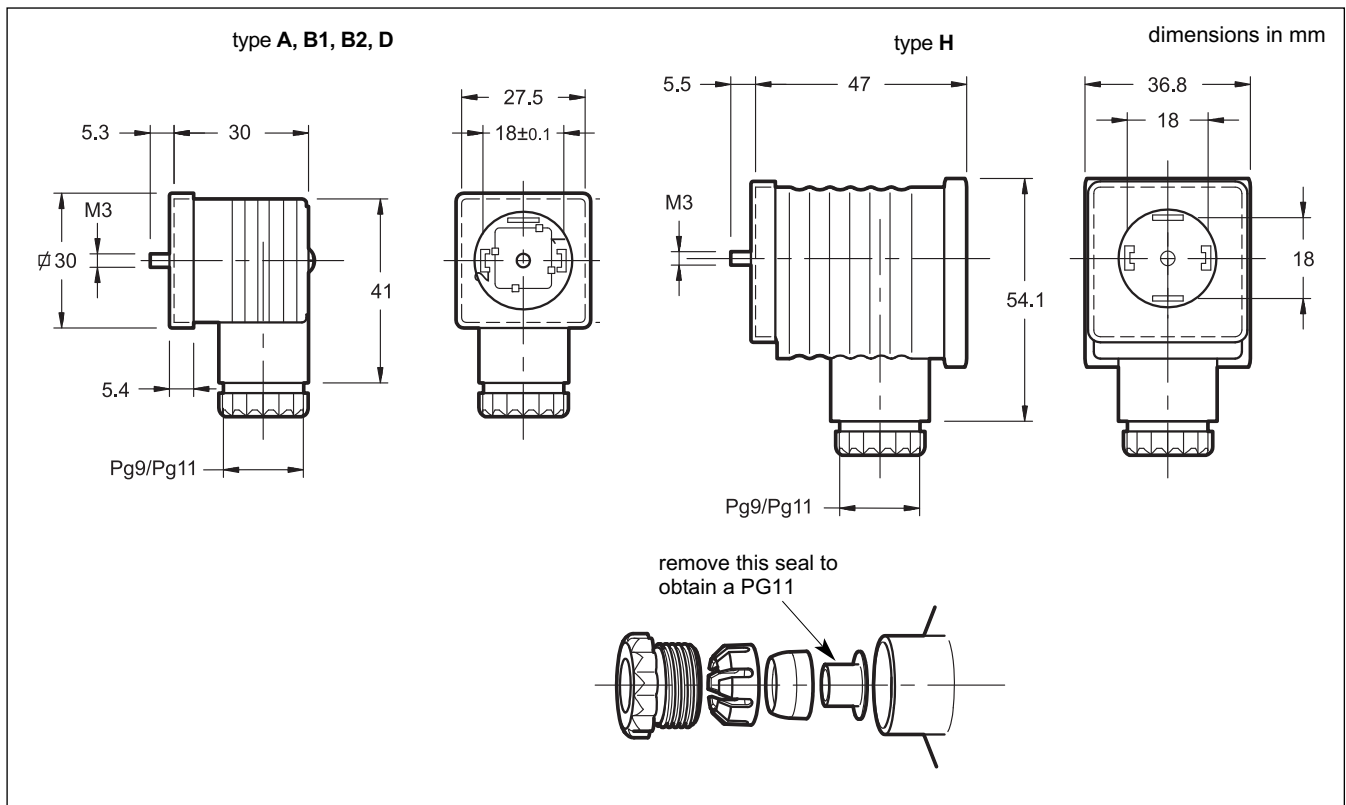
- A** = two poles + ground
- B1** = two poles + ground with led which burns when the solenoid is energized  
power supply voltage 10 + 50 V AC/DC
- B2** = two poles + ground with led which burns when the solenoid is energized  
power supply voltage 70 + 250 V AC/DC
- D** = two poles + ground with Graetz bridge rectifier:  
the choice of this type of connector requires an alternating current power supply and the use of CCR and RAC direct current coils
- H** = two poles + ground with RC damping circuit, to avoid voltage peaks as circuit opening, suitable for alternating and direct current coils.

Colour:

- Type A
  - B** = black (standard)
  - A** = grey
- Type B
  - N** = transparent
- Types D, H
  - B** = black

**NOTE:** For the connectors type A - D - H it is not necessary to specify the operating voltage, as the power supply voltage is up to 230 V.

### 2 - OVERALL AND MOUNTING DIMENSIONS



**DIPLOMATiC OLEODINAMiCA S.p.A.**  
 20015 PARABIAGO (MI) • Via M. Re Depaolini 24  
 Tel. +39 0331.895.111  
 Fax +39 0331.895.339  
 www.diplomatic.com • e-mail: sales.exp@diplomatic.com