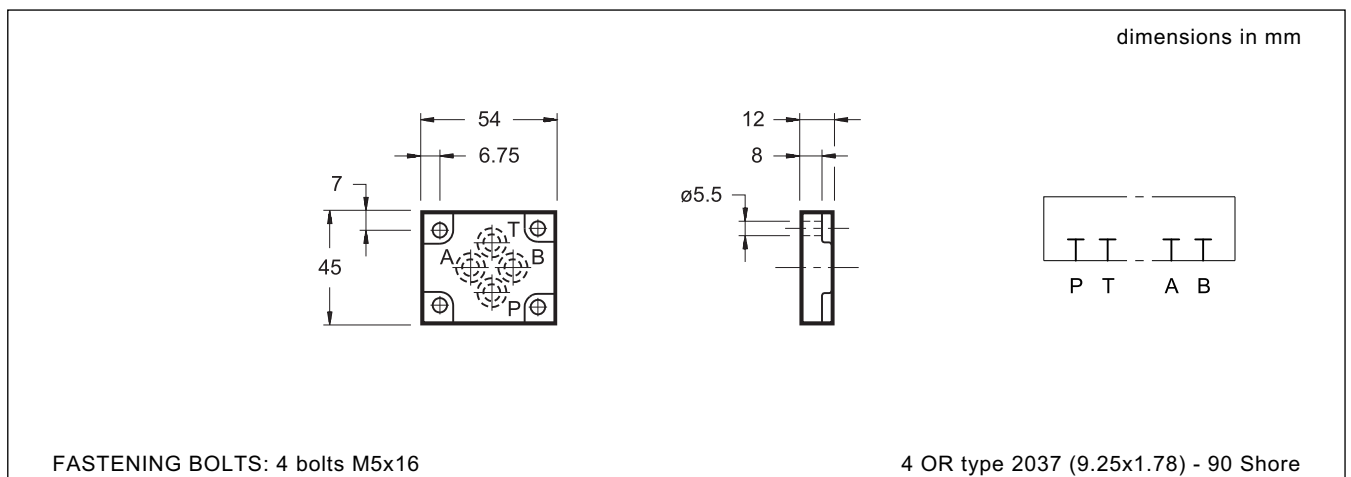


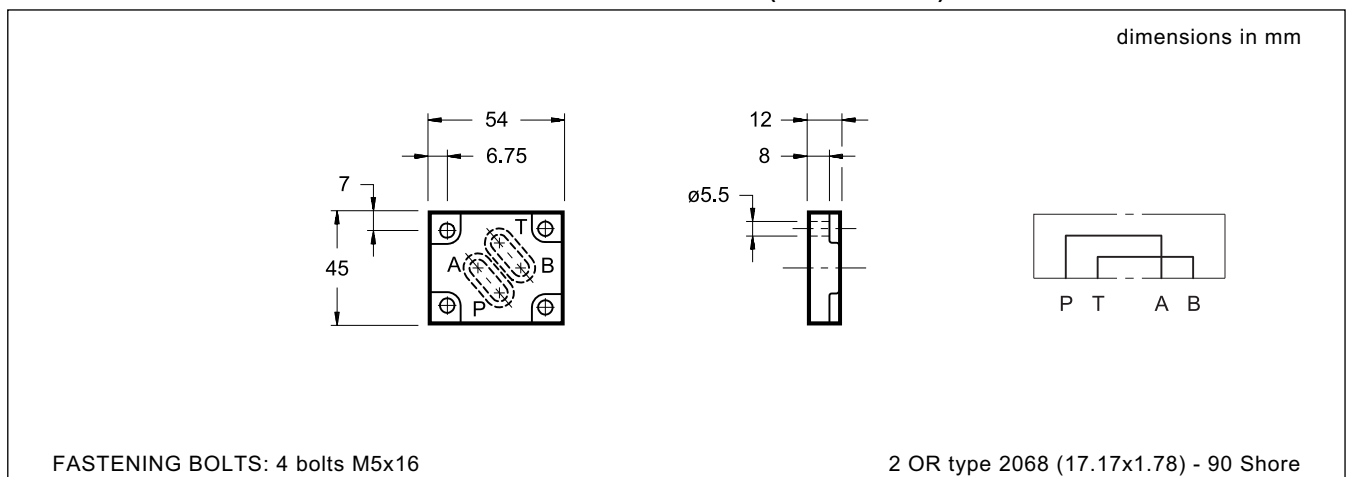
# PE BLANKING PLATE

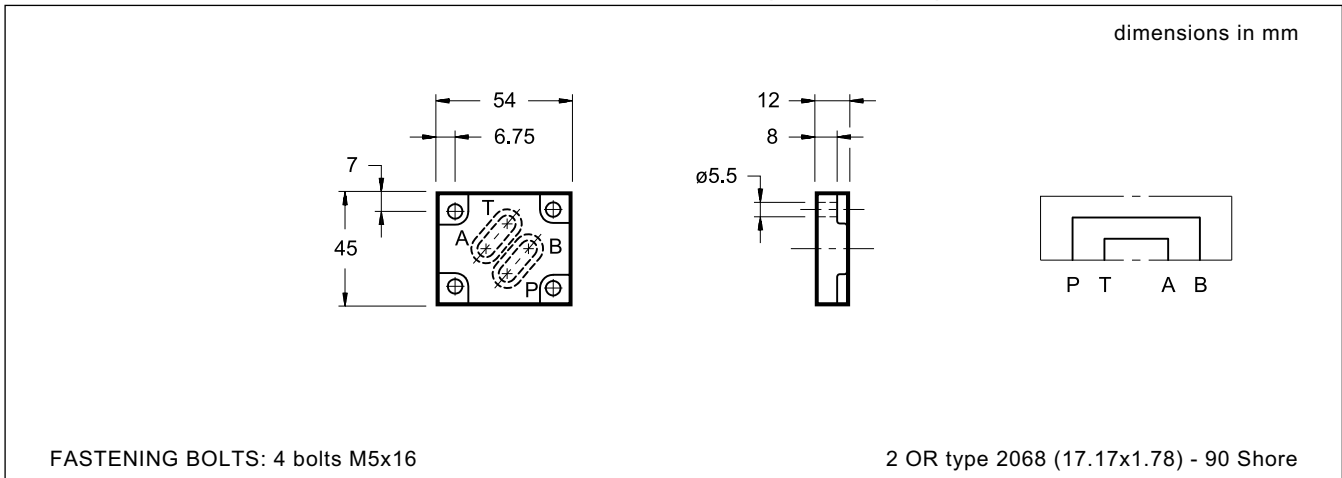
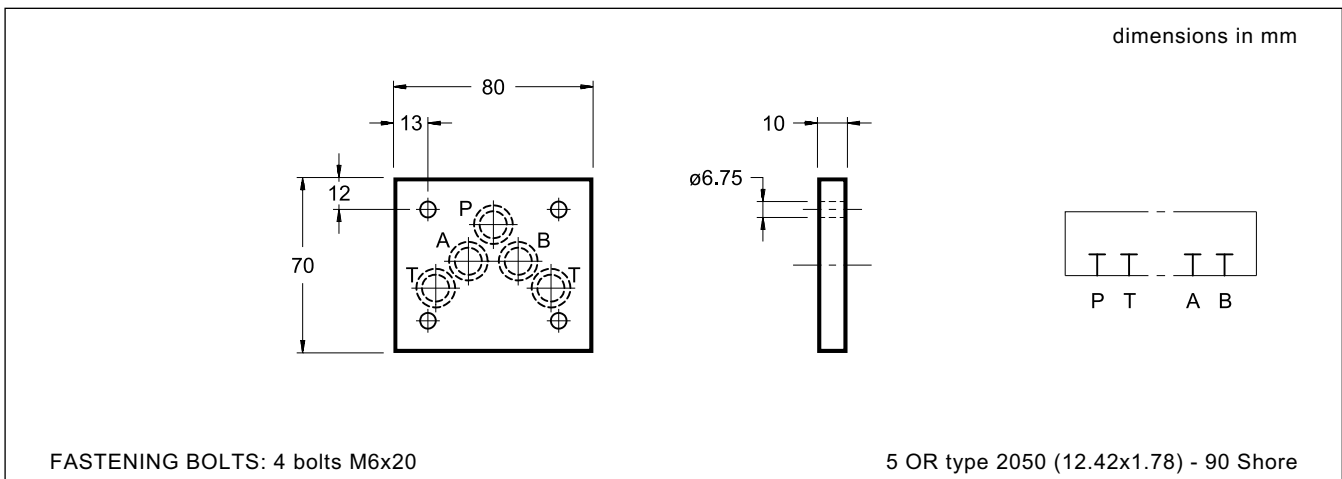
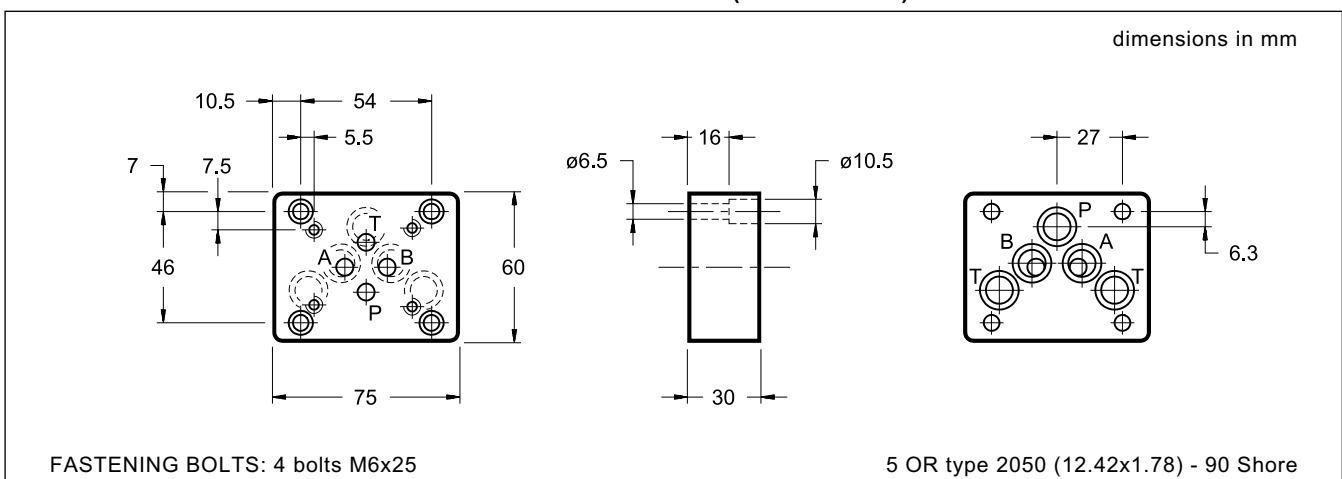
**p max 350 bar**

## 1 - OVERALL AND MOUNTING DIMENSIONS PE-MD1/20 (cod. 1950591)



## 2 - OVERALL AND MOUNTING DIMENSIONS PE-C/PA/MD1/20 (cod. 1950751)



**3 - OVERALL AND MOUNTING DIMENSIONS PE-C/PB/MD1/20 (cod. 1950601)**

**4 - OVERALL AND MOUNTING DIMENSIONS PE/D4-M (cod, 1950042)**

**5 - OVERALL AND MOUNTING DIMENSIONS PC-D4/MD1-M (cod. 1950222)**


**NOTE:** On request, plates can be supplied with the O-Rings in viton. To order it, please indicate the letter /V at the end of the identification code of the plate.



**DIPLOMATIC OLEODINAMICA S.p.A.**  
 20015 PARABIAGO (MI) • Via M. Re Depaolini 24  
 Tel. +39 0331.895.111  
 Fax +39 0331.895.339  
 www.diplomatic.com • e-mail: sales.exp@diplomatic.com

