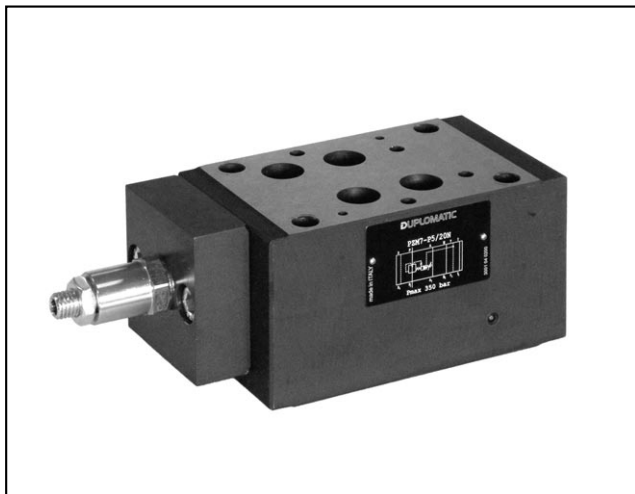


PZM7

PRESSURE REDUCING VALVE

SERIES 20

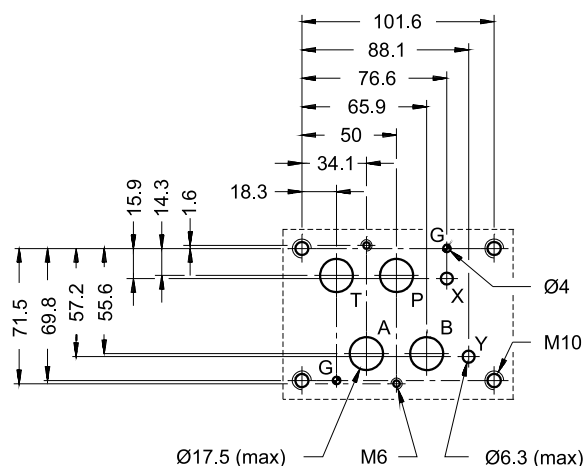


MODULAR VERSION ISO 4401-07

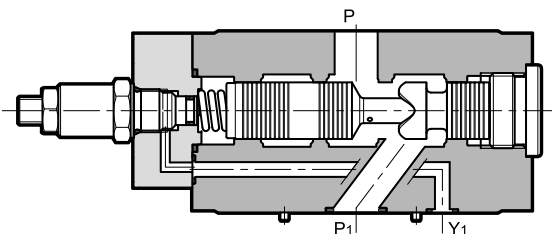
p max 350 bar
Q max 300 l/min

MOUNTING INTERFACE

ISO 4401-07-07-0-05
(CETOP 4.2-4-07)



OPERATING PRINCIPLE



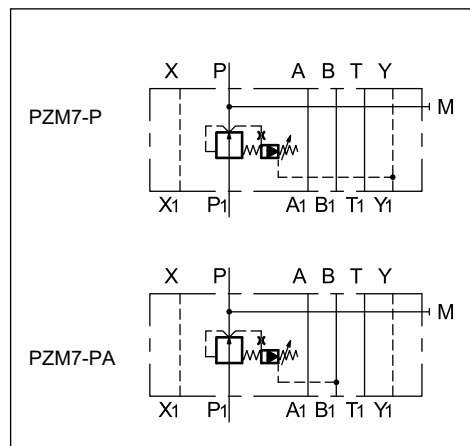
- PZM7 valves are pressure reducing valves for stack mounting, with mounting surface according to ISO 4401-07 standard.
- They are two-stage valves and are employed to assure stability of the controlled pressure, even changing the flow that passes through the valve.
- The PZM7 valves can be assembled quickly under DSP7 directional valves (see catalogue 41 420), without use of pipes, using suitable tie-rods or bolts, forming compact modular groups.
- They are supplied with adjustment screw. Knob is available as option.

PERFORMANCES

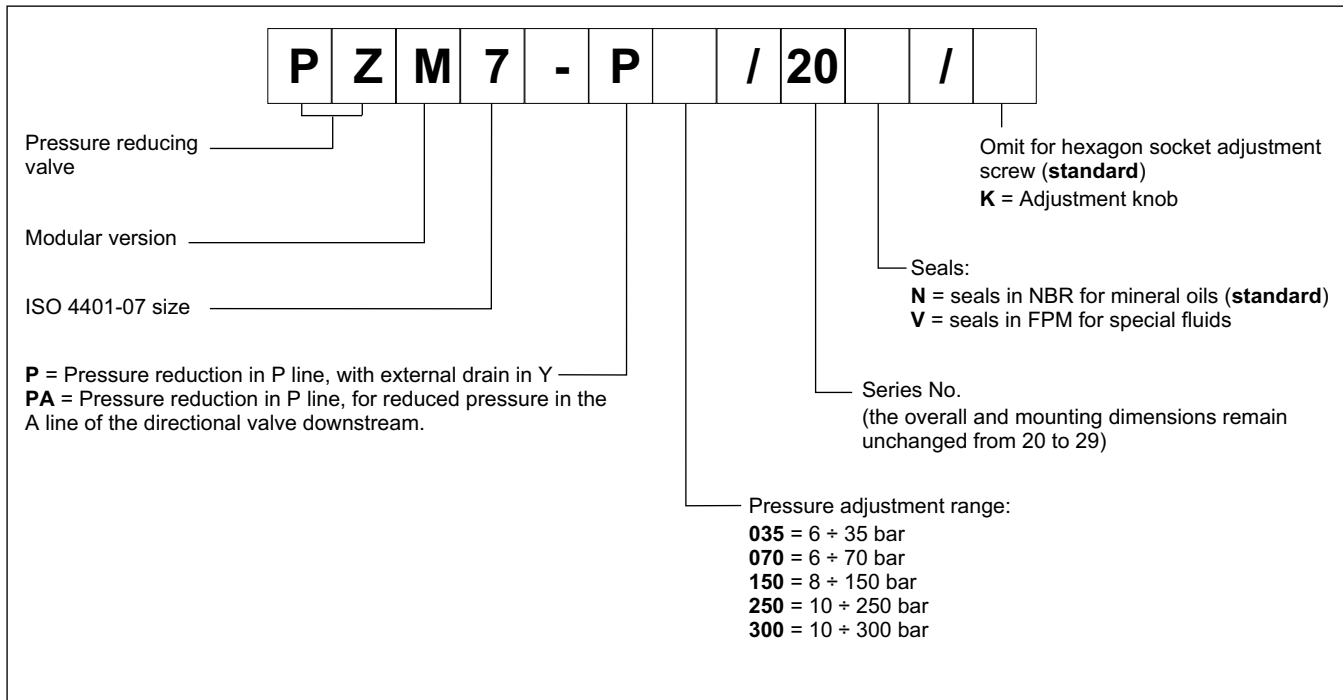
(measured with mineral oil of viscosity 36 cSt at 50 °C)

Maximum operating pressure	bar	350
Maximum flow rate	l/min	300
Drainage flow rate	l/min	≤ 0.9
Ambient temperature range	°C	-20 / +60
Fluid temperature range	°C	-20 / +80
Fluid viscosity range	cSt	10 + 400
Fluid contamination degree	According to ISO 4406:1999 class 20/18/15	
Recommended viscosity	cSt	25
Mass	kg	7.5

HYDRAULIC SYMBOLS



1 - IDENTIFICATION CODE



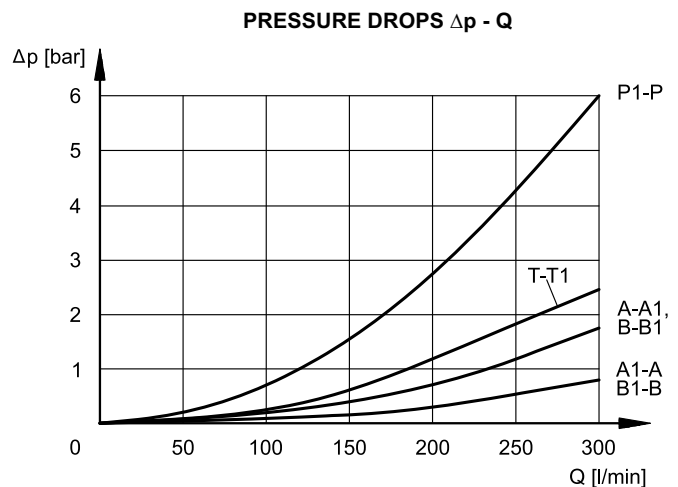
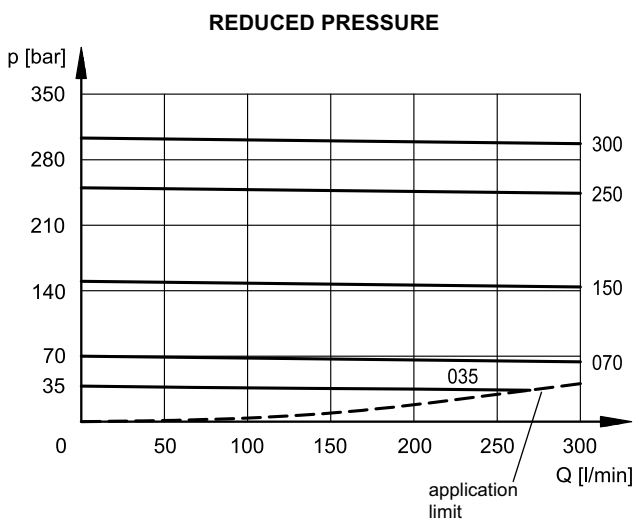
2 - HYDRAULIC FLUIDS

Use mineral oil-based hydraulic fluids HL or HM type, according to ISO 6743-4. For these fluids, use NBR seals. For fluids HFDR type (phosphate esters) use FPM seals (code V). For the use of other kinds of fluid such as HFA, HFB, HFC, please consult our technical department.

Using fluids at temperatures higher than 80 °C causes a faster degradation of the fluid and of the seals characteristics. The fluid must be preserved in its physical and chemical characteristics.

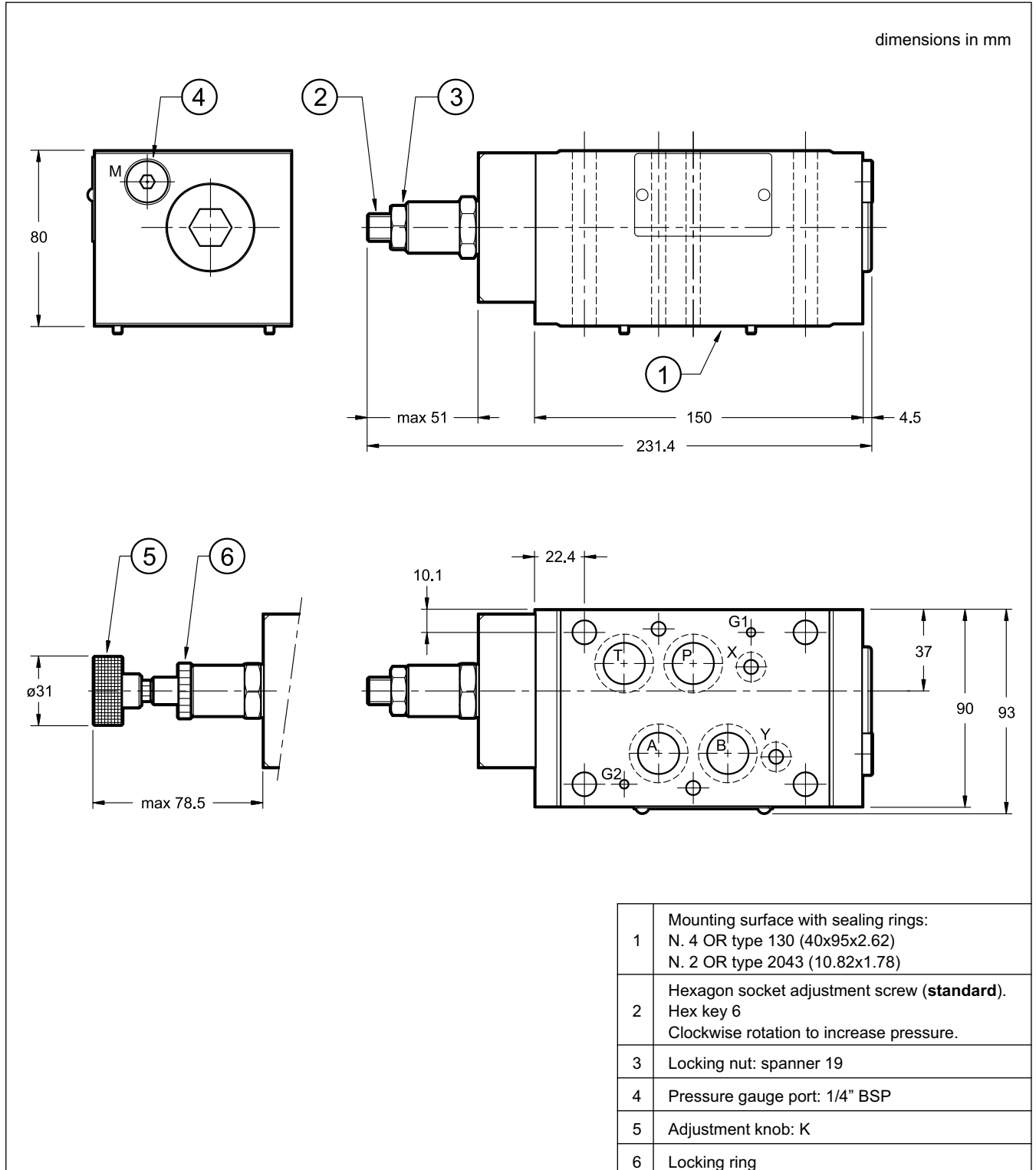
3 - CHARACTERISTIC CURVES

(values obtained with viscosity of 36 cSt at 50°C)



Reduced pressure in P obtained for each adjustment range, with inlet pressure 350 bar and inlet flow 350 l/min.

4 - OVERALL AND MOUNTING DIMENSIONS





PZM7

SERIES 20



DIPLOMATIC MS S.p.A.

via M. Re Depaolini 24 • 20015 PARABIAGO (MI) • ITALY
tel. +39 0331.895.111 • www.diplomatic.com • e-mail: sales.exp@diplomatic.com